

Oval, internal nozzle for external expansion

With hand pump - 175/85 to 4" hose

Volvo S60, S90, S60 Cross Country (From 2015-)
 V40, V60, V90, V60 Cross Country (From 2015-)
 XC60, XC90 (From 2015-)

This internal nozzle is inserted into the exhaust pipe and when inflated, it expands and thus adapts to the inside of the exhaust pipe.

The nozzle is specially developed for the following car models:

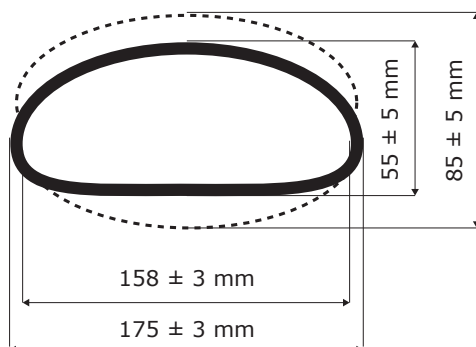
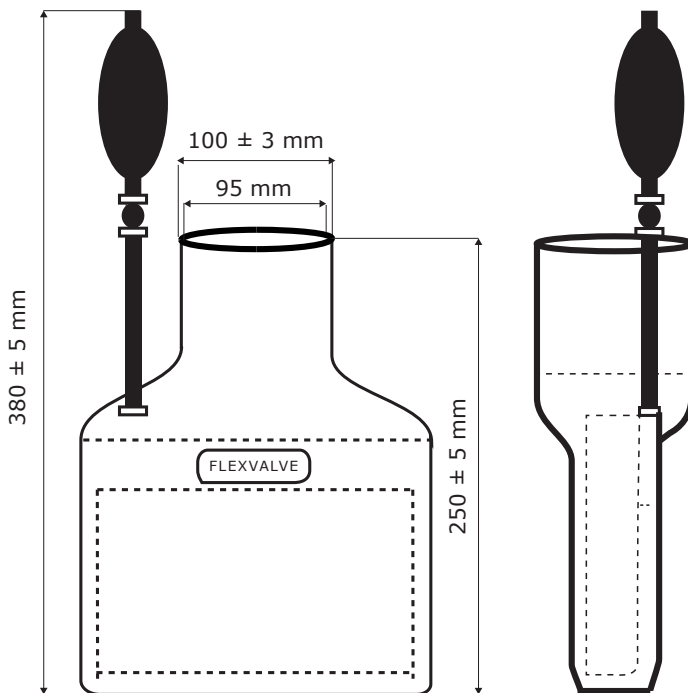
- Volvo S60, S90, S60 Cross Country (From 2015-)
- Volvo V40, V60, V90, V60 Cross Country (From 2015-)
- Volvo XC60, XC90 (from 2015-)

The nozzle can also be used for other cars with internal exhaust.

The nozzle is standard with a hand pump for activation and a release valve for deactivation, but it can also be delivered with a pneumatic activation set.

The nozzle can be used for both right and left exhaust pipes.

Your company name and logo can be stamped into the nozzle.



Product no.: 236100 V2

Nozzle type: Oval with hand pump

Size: 175/85 MM

Operation pressure: 1.0 bar

Hose diameter: 4"

Weight: 900 gram

Work temperature: +150° C