

Universal nozzle

With hand pump - for 4" hose

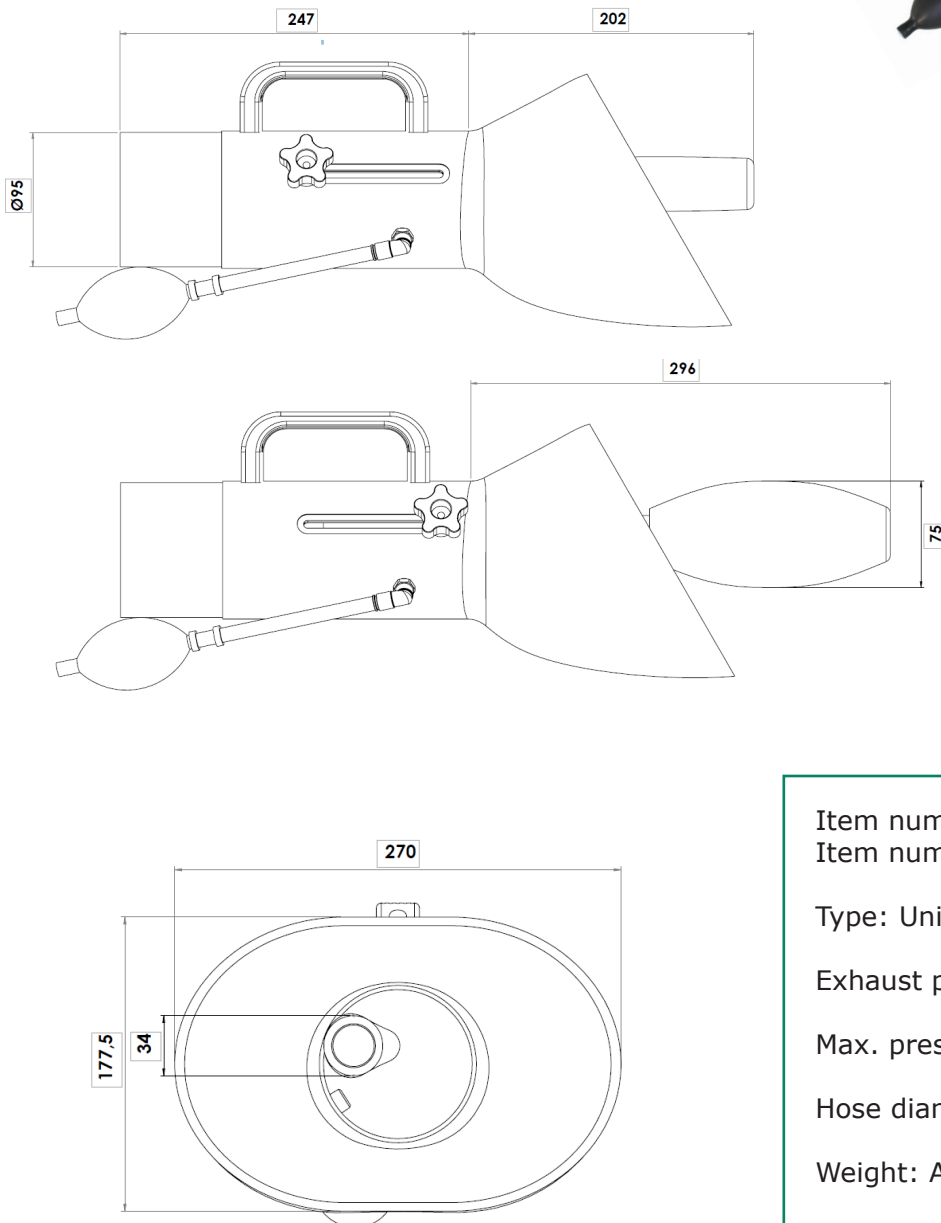
For exhaust pipes integrated in the bumper
For traditional exhaust pipes, single and double

The universal nozzle can be used for most cars where the exhaust pipes are integrated in the bumper.

The narrow nozzle is inserted into the exhaust pipe. By using the hand pump, the nozzle expands and thus adapts to the inside of the exhaust pipe. The rubber collar rests on the bumper and prevents scratches.

The universal nozzle is also suitable for many cars with classic exhaust pipes (single and double).

The universal nozzle is available in a version with damper and can also be manufactured with a pneumatic activation set instead of a hand pump.



Item number: 237100
Item number with damper: 237101
Type: Universal with hand pump
Exhaust pipe inner diameter: 34-75 mm
Max. pressure: 1.0 bar
Hose diameter: 4"
Weight: Approx. 2 kg.
Max. temperature: +150° C