

## Circular pneumatic sleeves

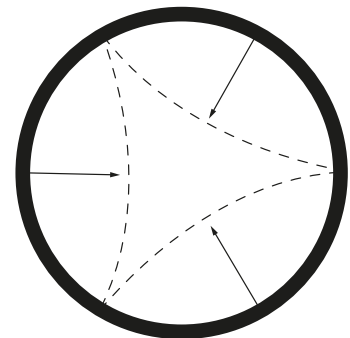
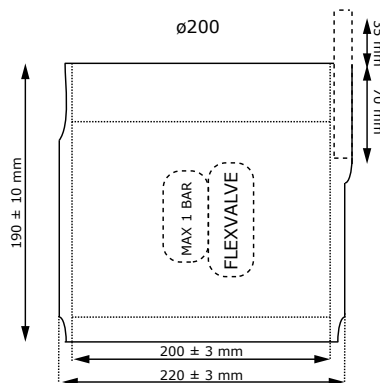
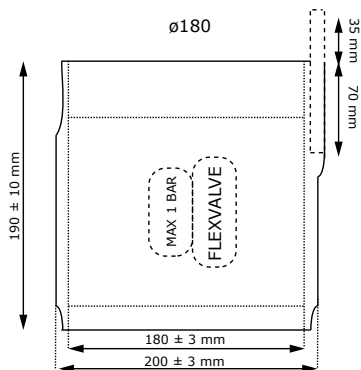
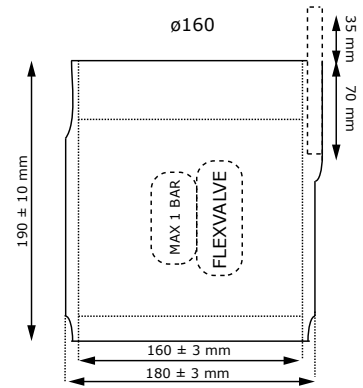
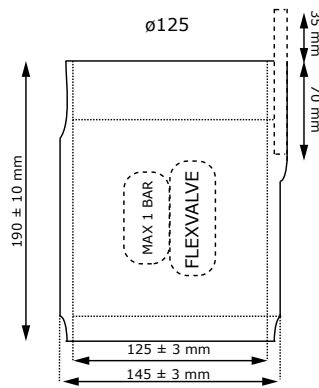
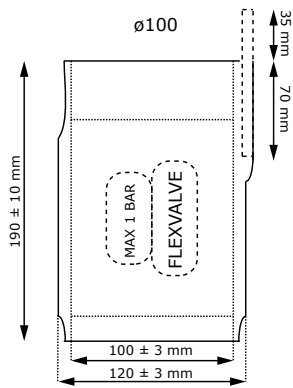
Compressed air activation  
Without hose connector

Single exhaust pipes on personal cars,  
busses and emergency vehicles etc.

The circular sleeve is made for compressed air activation, and is ideal for exhaust gas extraction from car repair shops, vehicle inspection garages and fire stations etc.

The most common sizes are  $\varnothing 125$  and  $\varnothing 160$  but other diameters e.g.  $\varnothing 200$  and  $\varnothing 250$  are available upon request.

Your company name and logo can be stamped into the sleeve without extra costs.



All sleeves close from  
3 sides in a triangle

PRODUCT NO.	SLEEVE DIAMETER	OPERATION PRESSURE	EXHAUST PIPE SIZE	WEIGHT (GRAM)	MAX. TEMPERATURE
210100	100 mm	1.0 bar	$\varnothing 20 / \varnothing 90$	700	+150°C
210125	125 mm	1.0 bar	$\varnothing 30 / \varnothing 110$	850	+150°C
210160	160 mm	1.0 bar	$\varnothing 50 / \varnothing 150$	950	+150°C
210180	180 mm	1.0 bar	$\varnothing 60 / \varnothing 170$	1200	+150°C
210200	200 mm	1.0 bar	$\varnothing 60 / \varnothing 170$	1500	+150°C

## Circular pneumatic sleeves with Kevlar lining

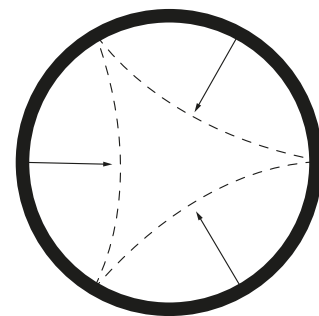
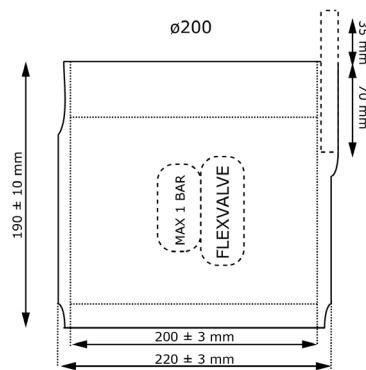
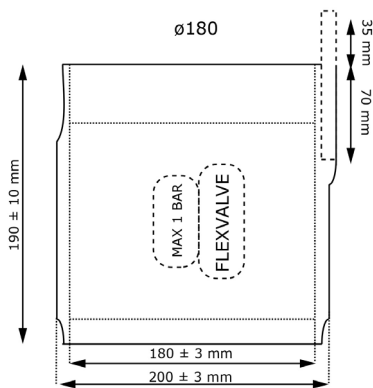
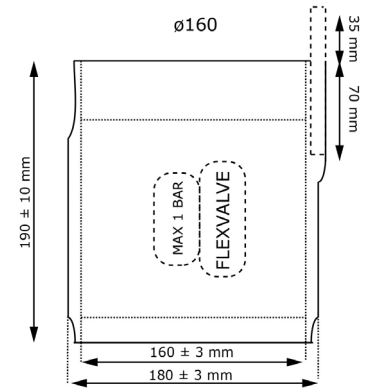
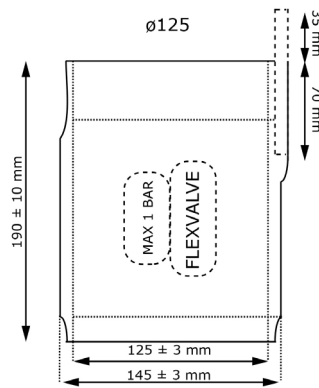
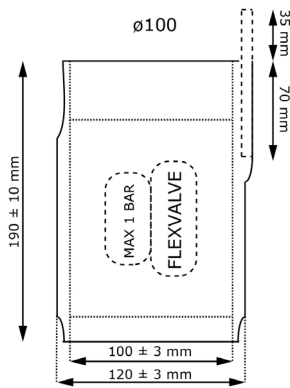
Compressed air activation  
Without hose connector  
Kevlar lining

Exhaust gas extraction from fire brigade,  
emergency vehicles and car inspection garages.

The circular sleeve is made for compressed air activation, and is ideal for exhaust gas extraction from vehicle inspection garages and fire stations etc.  
The Kevlar lining inside the sleeve reduces friction and resists higher gas temperatures.

The most common sizes are  $\varnothing 125$  and  $\varnothing 160$  but other diameters e.g.  $\varnothing 200$  and  $\varnothing 250$  are available upon request.

Your company name and logo can be stamped into the sleeve without extra costs.



All sleeves close from 3 sides in a triangle

PRODUCT NO.	SLEEVE DIAMETER	SLEEVE LINING	OPERATION PRESSURE	EXHAUST PIPE SIZE	WEIGHT (GRAM)	MAX. TEMPERATURE
211100	100 mm	Kevlar lining	1.0 bar	$\varnothing 20 / \varnothing 90$	700	+200°C
211125	125 mm	Kevlar lining	1.0 bar	$\varnothing 30 / \varnothing 110$	850	+200°C
211160	160 mm	Kevlar lining	1.0 bar	$\varnothing 50 / \varnothing 150$	950	+200°C
211180	180 mm	Kevlar lining	1.0 bar	$\varnothing 60 / \varnothing 170$	1200	+200°C
211200	200 mm	Kevlar lining	1.0 bar	$\varnothing 60 / \varnothing 170$	1500	+200°C

## Circular pneumatic sleeves with Carbon fibre

Compressed air activation  
Without hose connector

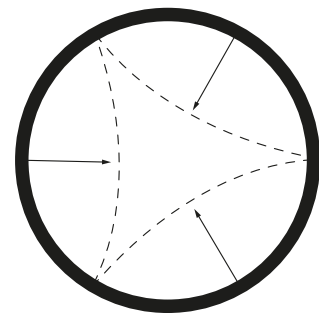
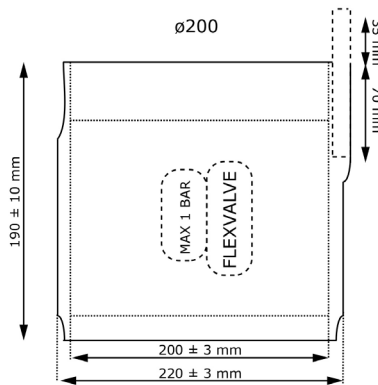
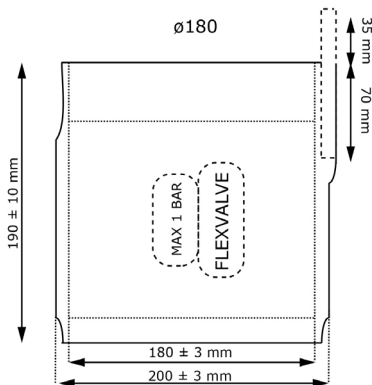
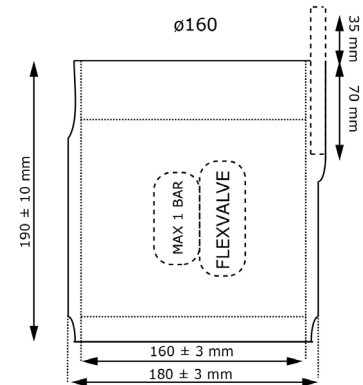
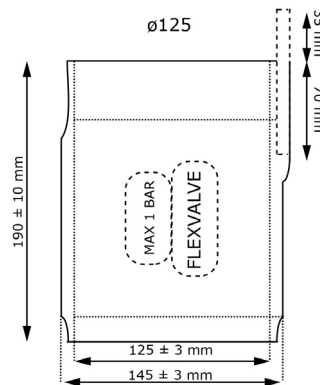
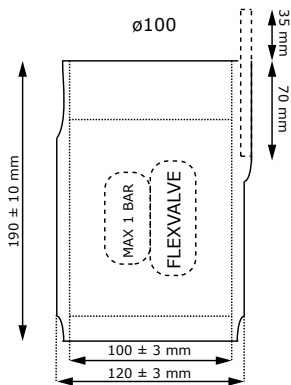
Single exhaust pipes on personal cars,  
busses and emergency vehicles etc.

The circular sleeve is made for compressed air activation, and is ideal for exhaust gas extraction from car repair shops, vehicle inspection garages and fire stations etc.

The most common sizes are  $\varnothing 125$  and  $\varnothing 160$  but other diameters e.g.  $\varnothing 200$  and  $\varnothing 250$  are available upon request.

Carbon fibre lining inside and outside reduces friction and resists extra high gas temperature.

Your company name and logo can be stamped into the sleeve without extra costs.



All sleeves close from  
3 sides in a triangle

PRODUCT NO.	SLEEVE DIAMETER	SLEEVE LINING	OPERATION PRESSURE	EXHAUST PIPE SIZE	WEIGHT (GRAM)	MAX. TEMPERATURE
212100	100 mm	Carbon in + out	1.0 bar	$\varnothing 20 / \varnothing 90$	720	+300°C
212125	125 mm	Carbon in + out	1.0 bar	$\varnothing 30 / \varnothing 110$	870	+300°C
212160	160 mm	Carbon in + out	1.0 bar	$\varnothing 50 / \varnothing 150$	970	+300°C
212180	180 mm	Carbon in + out	1.0 bar	$\varnothing 60 / \varnothing 170$	1220	+300°C
212200	200 mm	Carbon in + out	1.0 bar	$\varnothing 60 / \varnothing 170$	1520	+300°C