

Oval pneumatic nozzles 150/80 mm - 3" hose connector

With hand pump
With 3" hose connector

Single and double exhaust pipes on
private cars and commercial vehicles

The oval nozzle can be activated by hand pump at ½ bar pressure. The hand pump is supplied with a release valve for deactivation of the nozzle.

The nozzle is ideal for exhaust gas extraction from car repair shops, vehicle inspection garages and fire stations etc.

The nozzle can be used for single and double exhaust pipes.

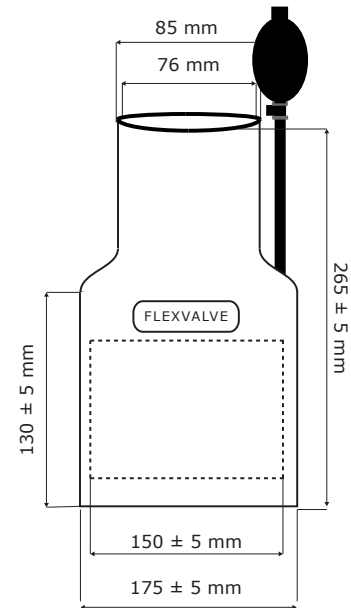
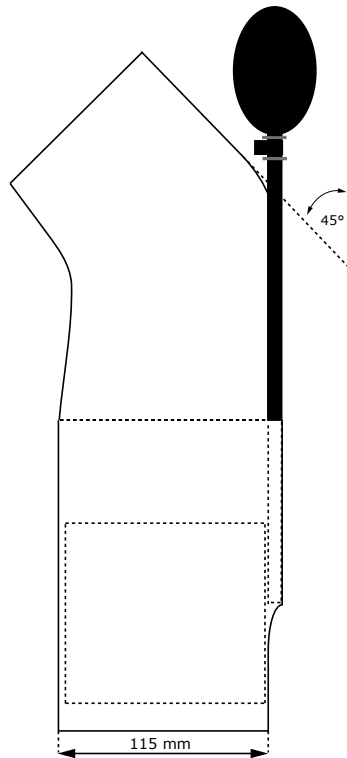
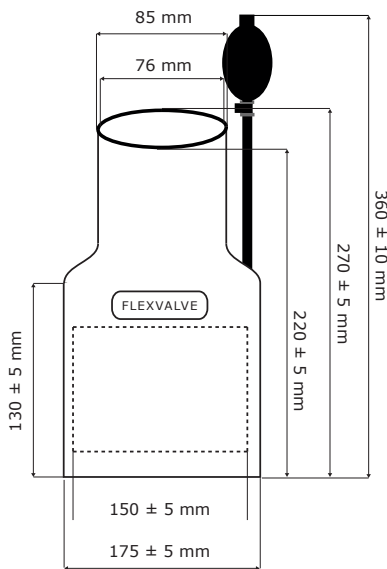
The most common sizes are 150/80 mm and 200/100 mm but other diameters are available upon request.

Your company name and logo can be stamped into the nozzle.



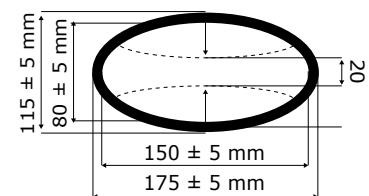
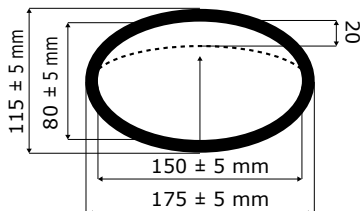
45° bend hose connector

Straight hose connector



150/80 1 side

150/80 2 sides



PRODUCT NO.	NOZZLE SIZE (MM)	NOZZLE EXPANSION	HOSE CONNECTOR	EXHAUST PIPE SIZE	WEIGHT (GRAM)	MAX. TEMPERATURE
241151	150/80	1 side	Straight	ø20 / ø100	860	+150°C
241152	150/80	2 sides	Straight	ø20 / ø100	860	+150°C
241161	150/80	1 side	45° bend	ø20 / ø100	920	+150°C
241162	150/80	2 sides	45° bend	ø20 / ø100	920	+150°C

Oval pneumatic nozzles 150/80 mm - 4" hose connector

With hand pump
With 4" hose connector

Single and double exhaust pipes on
private cars and commercial vehicles

The oval nozzle can be activated by hand pump at ½ bar pressure. The hand pump is supplied with a release valve for deactivation of the nozzle.

The nozzle is ideal for exhaust gas extraction from car repair shops, vehicle inspection garages and fire stations etc. The nozzle can be used for single and double exhaust pipes.

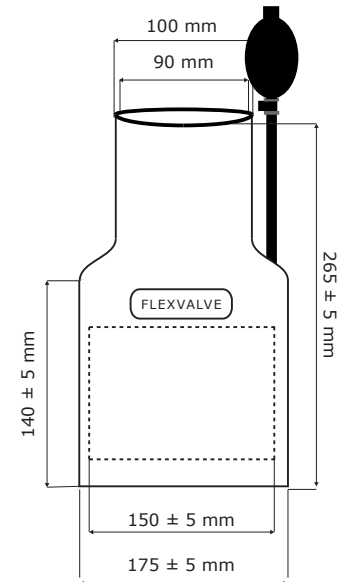
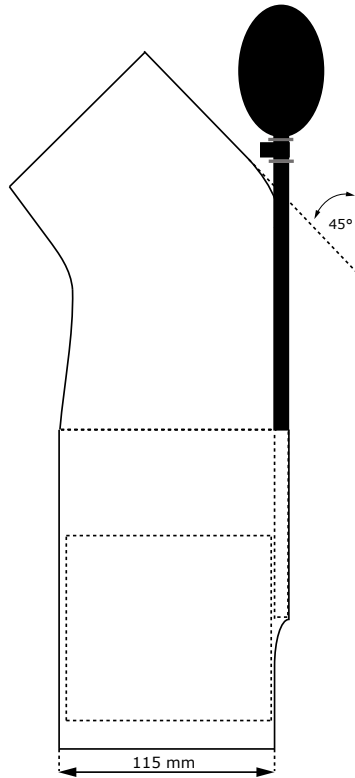
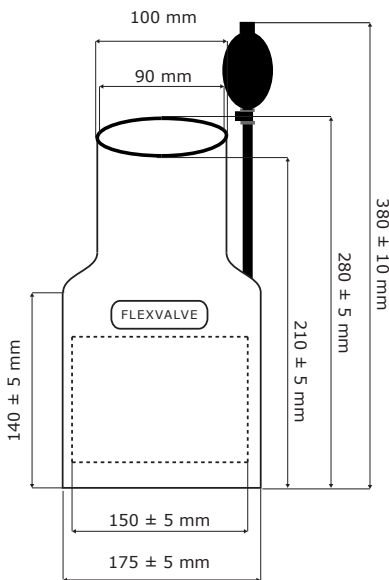
The most common sizes are 150/80 mm and 200/100 mm but other diameters are available upon request.

Your company name and logo can be stamped into the nozzle.



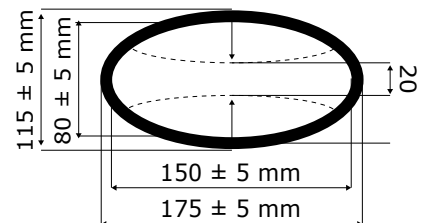
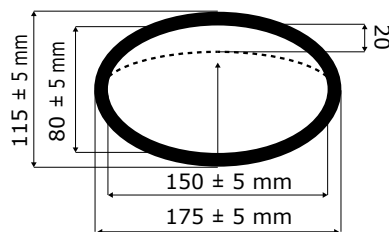
45° bend hose connector

Straight hose connector



150/80 1 side

150/80 2 sides



PRODUCT NO.	NOZZLE SIZE (MM)	NOZZLE EXPANSION	HOSE CONNECTOR	EXHAUST PIPE SIZE	WEIGHT (GRAM)	MAX. TEMPERATURE
241153	150/80	1 side	Straight	Ø20 / Ø100	920	+150°C
241154	150/80	2 sides	Straight	Ø20 / Ø100	920	+150°C
241163	150/80	1 side	45° bend	Ø20 / Ø100	980	+150°C
241164	150/80	2 sides	45° bend	Ø20 / Ø100	980	+150°C